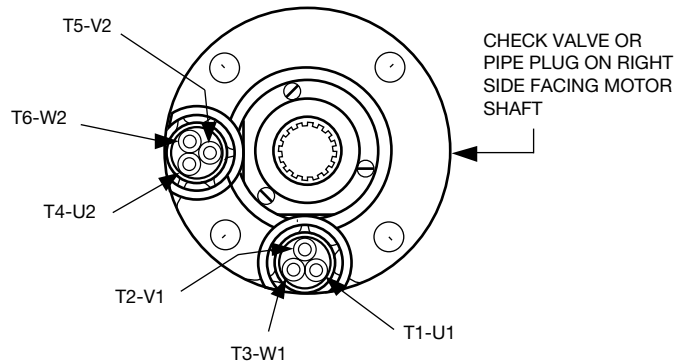




Application - Three-Phase Motors

Three-Phase Motor Lead Identification

90° Lead Spacing

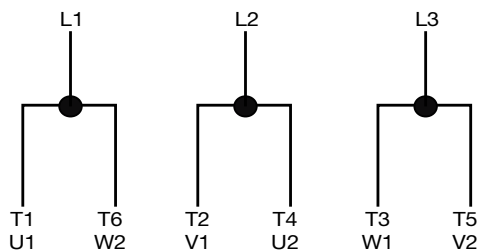


LEADS LOCATED HERE ONLY
FOR 3 LEAD (DOL) MOTORS

Line Connections — Six Lead Motors

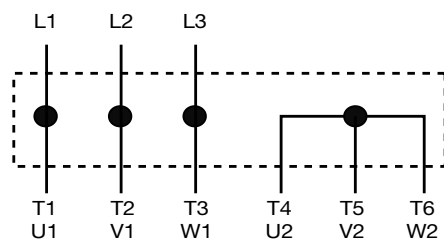
DOL or SD RUNNING

Connections for across-the-line starting, running, and any reduced voltage starting except YD/SD type starters.



SD STARTING

YD/SD starters connect the motor as shown below during starting, then change to the running connection shown at the left.



Each motor lead is numbered with two markers, one near each end. To reverse rotation, interchange any two line connections.

* Star Delta (SD) is the same as Wye Delta (YD)