

SINGLE PHASE MOTOR STARTER

Substart SC



The Substart SC range covers all PSC motors from 0.25kW to 2.2kW for all voltages. Ergonomic design, attention to detail and unique features make the Substart SC motor starter range your first choice when considering submersible motor protection. Substart SC combined with Franklin Electric submersible motors means you now have a tangible water system advantage that delivers both reliable protection and ease of installation.

FEATURES

- Easy wall mounting without destroying the protection rating
- Sufficient space provided for ease of wiring
- Enclosure protection IP54
- Illuminated integral ON/OFF switch for ease of power
- Thermal circuit breaker for motor protection
- High quality motor run capacitor for long life
- Terminal boards suitable for reliable connections
- Cable glands to ensure IP54 rating

PRODUCT ADVANTAGES

- Attention to detail – every aspect is engineered for the application
- The SubStart SC is 100% compatible with the PSC motor characteristics
- Reliability backed by the leader in submersible motors



Franklin Electric

Specifications

SubStartSC® Single phase Submersible Motor Starter Specifications

Part Number ¹	Type ²	Motor rating (kW)	Nominal Current ³ (A)	Maximal expected current ⁴ (A)	Capacitor (µF) 450V ac
284 623 3510	SS025SC	0,25	2,5	8,4	12,5
284 624 3510	SS037SC	0,37	3,4	11,2	16
284 625 3510	SS055SC	0,55	4,3	16,1	20
284 626 3510	SS075SC	0,75	5,8	21,1	30
284 627 3510	SS110SC	1,10	8,6	31,5	40
284 628 3510	SS150SC	1,50	10,6	35,4	50
284 629 3510	SS220SC	2,20	16,0	54,2	70

Notes:

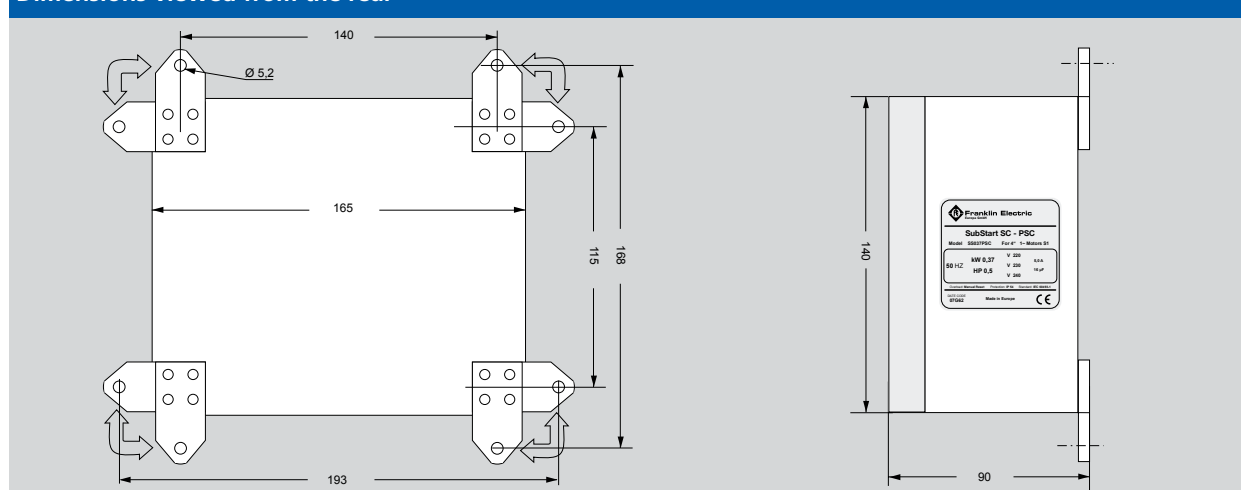
1. Can be used with both 220-230V and 230-240V PSC motor ranges.
2. Type indicates motor power rating and motor type.
3. Nominal supply current at nominal voltage.
4. Motor starting current under nominal conditions.

SubStartSC® Submersible Motor Control Starter Technical Specifications

Mechanical		Electrical	
Protection level	IP54	Voltage	220 - 240V; - 6 / +10 %; 50Hz single phase
External dimensions	168 x 142 x 85mm	Current	2,2 - 16 A
Weight	0,6 - 1,0 kg	Power	0,25 - 2,2 kW
Mounting	Wall mounting (mounting hardware provided)	Standards	IEC 60439-1
Temperature	-10°C - +55°C		
Humidity	50% at 55°C (without condensation)		

SubStartSC® Single phase Submersible Motor Starter

Dimensions viewed from the rear



Franklin Electric

Franklin Electric (Aust) Pty Ltd
 106-110 Micro Circuit
 Dandenong South, Vic 3175
 Tel: +61 3 9799 5000

Toll Free: 1300 FRANKLIN
franklin-electric.com.au